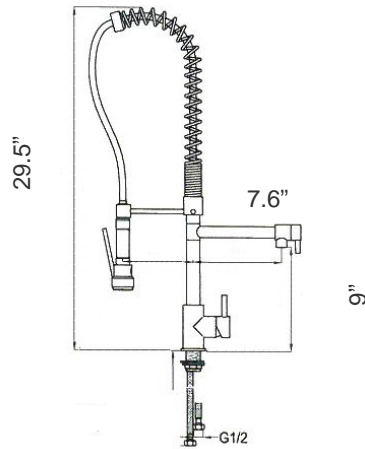




Café Style Mixer

- * Deck mount café style kitchen faucet
- * Pull out sprayer
- * Swivel spout

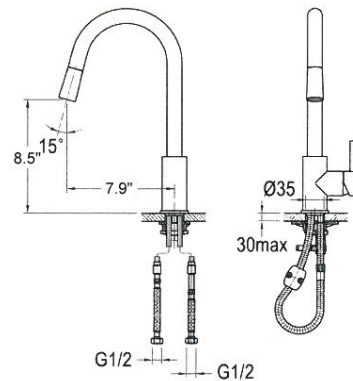
Model # **Finish**
 FH872D11CP Chrome



FH Single Lever

- * Deck mount single lever kitchen faucet
- * Pull out sprayer
- * Swivel spout

Model # **Finish**
 FH8781D11CP Chrome





870 Wall Mount

- * Wall mount kitchen faucet
- * Umbrella spout – 11" total height
- * Adjustable unions from 3"-9"
- * Ceramic cartridges



This faucet comes standard with metal cross handles

Model

870SU

Finish

Chrome



870 Deck Mount

- * Deck mount kitchen faucet
- * Umbrella spout – 11" total height
- * Pillars are 7" tall
- * Ceramic cartridges



This faucet comes standard with metal cross handles

Model

870

Finish

Chrome



3601/842

- * Kitchen faucet
- * Moveable 8" long spout
- * Adjustable swivel unions
- * Ceramic cartridges



This faucet comes standard with metal cross handles

Model

3601/842

Finish

Chrome



2106

- * Kitchen / Laundry faucet
- * Moveable 5" long spout
- * Adjustable swivel unions



This faucet comes standard with metal lever handles

Model

2106

Finish

Chrome

Moveable spout



Adjustable Centres

Model Shown: CDSH758KVCP/ML

758KV Sheppard

- * Moveable Sheppard spout
- * Adjustable bottom centres
- * 1/4 turn ceramic cartridges

Standard Deck Mount:

Model #	Finish
CDSH758KVCP	Chrome
CDSH758KVBN	Brushed Nickel
CDSH758KVRB	Rubbed Bronze
CDSH758KVAB	Antique Bronze



Metal Cross Handles
Add suffix / **MC** at end of model #

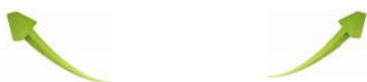


Metal Lever Handles
Add suffix / **ML** at end of model #



White Lever Handles
Add suffix / **L** at end of model #

Moveable spout



Adjustable Centres

Model Shown: CDSH758KUCP/ML

758KU Umbrella

- * Moveable Umbrella spout
- * Adjustable bottom centres
- * 1/4 turn ceramic cartridges

Standard Deck Mount:

Model #	Finish
CDSH758KUCP	Chrome
CDSH758KUBN	Brushed Nickel
CDSH758KURB	Rubbed Bronze
CDSH758KUAB	Antique Bronze



Metal Cross Handles
Add suffix / **MC** at end of model #



Metal Lever Handles
Add suffix / **ML** at end of model #



White Lever Handles
Add suffix / **L** at end of model #

Victorian 504 Pot Filler

- * Wall mount pot filler w/ single shutoff
- * Spout length is 6" long
- * 1/2" IPS Female connection at wall



Model Shown: CDSH504CP/ML

With 2" wall extension:

With 6" wall extension:

Model #	Finish	Model #	Finish
CDSH504CP	Chrome	CDSH502CP	Chrome
CDSH504BN	Brushed Nickel	CDSH502BN	Brushed Nickel
CDSH504RB	Rubbed Bronze	CDSH502RB	Rubbed Bronze



Metal Cross Handles
Add suffix / **MC** at end of model #



Metal Lever Handles
Add suffix / **ML** at end of model #



White Lever Handles
Add suffix / **L** at end of model #

Victorian 503 Pot Filler

- * Deck mount pot filler w/ single shutoff
- * Spout height is 12-1/2"
- * 1/2" IPS Female connection at wall



Model Shown: CDSH503CP/ML

Model #	Finish
CDSH503CP	Chrome
CDSH503BN	Brushed Nickel
CDSH503RB	Rubbed Bronze



Metal Cross Handles
Add suffix / **MC** at end of model #



Metal Lever Handles
Add suffix / **ML** at end of model #



White Lever Handles
Add suffix / **L** at end of model #



Model Shown: CDSH502DAB/ML

D Pot Filler

- * Wall mount pot filler with double shutoff
- * 1/2" IPS Female connection at wall
- * Optional 2" or 6" wall extension

With 2" wall extension:

Model #	Finish
CDSH504DCP	Chrome
CDSH504DBN	Brushed Nickel
CDSH504DRB	Rubbed Bronze
CDSH504DAB	Antique Bronze

With 6" wall extension:

Model #	Finish
CDSH502DCP	Chrome
CDSH502DBN	Brushed Nickel
CDSH502DRB	Rubbed Bronze
CDSH502DAB	Antique Bronze



Metal Cross Handles
Add suffix / **MC** at end of model #



Metal Lever Handles
Add suffix / **ML** at end of model #



White Lever Handles
Add suffix / **L** at end of model #



Model Shown: CDSH503DAB/MC

D Deck Pot Filler

- * Deck mount pot filler w/ double shutoff
- * Spout base height is 12-1/2"
- * 1/2" IPS Female connection at wall

Model #	Finish
CDSH503DCP	Chrome
CDSH503DBN	Brushed Nickel
CDSH503DRB	Rubbed Bronze
CDSH503DAB	Antique Bronze



Metal Cross Handles
Add suffix / **MC** at end of model #



Metal Lever Handles
Add suffix / **ML** at end of model #



White Lever Handles
Add suffix / **L** at end of model #