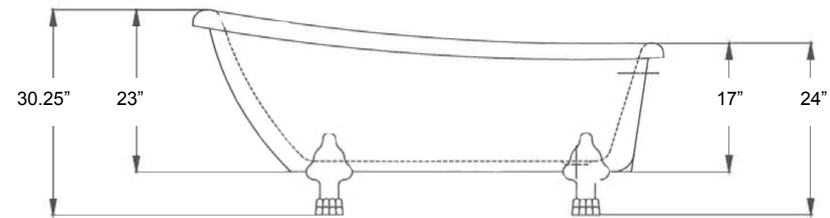
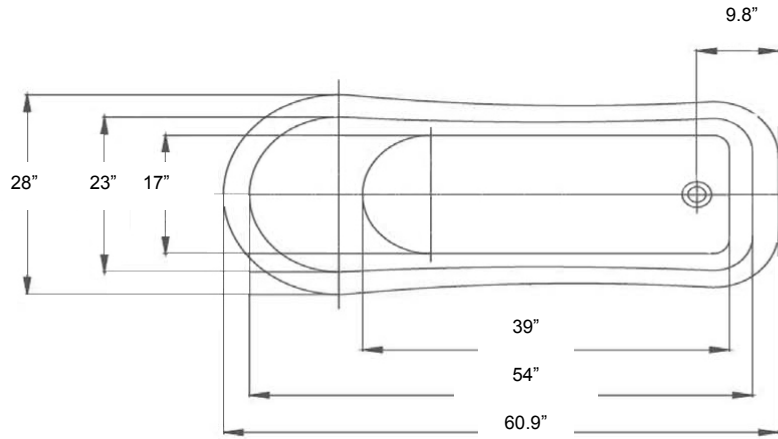


## Newbury 60

All measurements are approximate and may change without notice. We will not be responsible for faulty or improper installation. We strongly recommend having product onsite before installing any hard plumbing or drilling any holes.

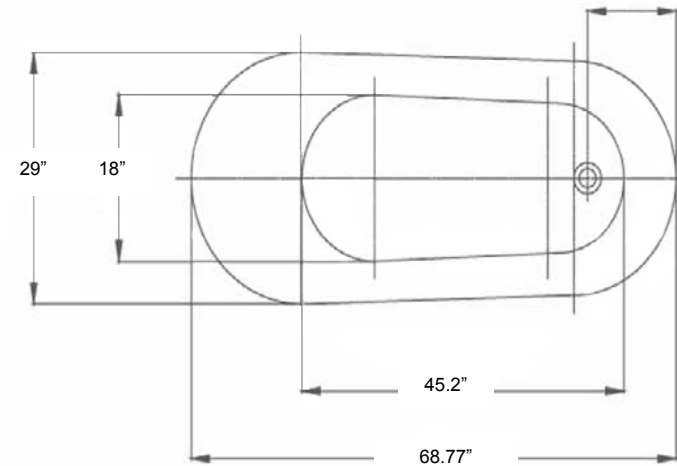
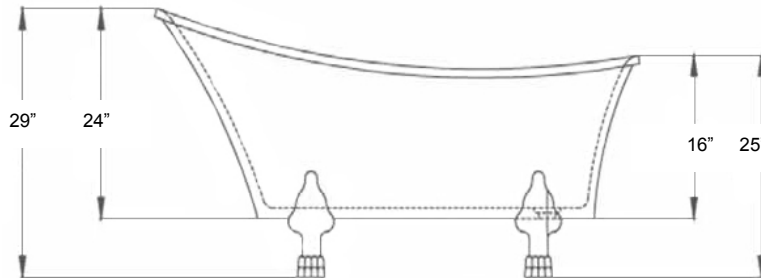


**Overall Specifications:** 60.9"L x 28"W x 30" (highest) / 24"H (lowest) // **Approximate Weight:** 150 lbs // **Material:** High polished interior / exterior acrylic with reinforced fibreglass

**Drain is NOT included** // **Faucet application:** freestanding, tiled wall, inside wall mount

## Prestige

All measurements are approximate and may change without notice. We will not be responsible for faulty or improper installation. We strongly recommend having product onsite before installing any hard plumbing or drilling any holes.

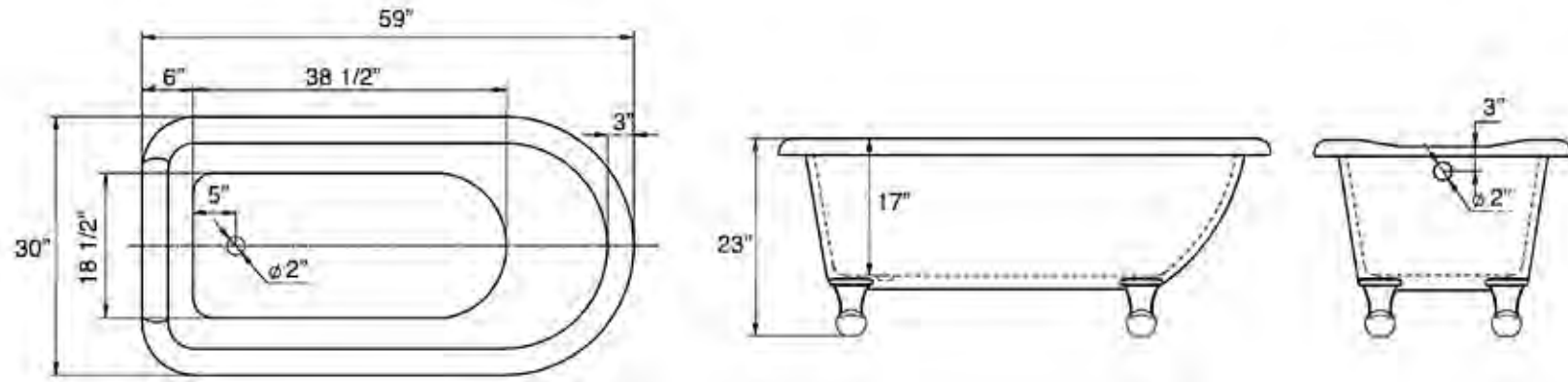


**Overall Specifications:** 68.7"L x 29" (highest) / 25"H (lowest) // **Approximate Weight:** 150 lbs // **Material:** High polished interior / exterior acrylic with reinforced fibreglass

**Drain is NOT included** // **Faucet application:** freestanding, tiled wall

## Victorian

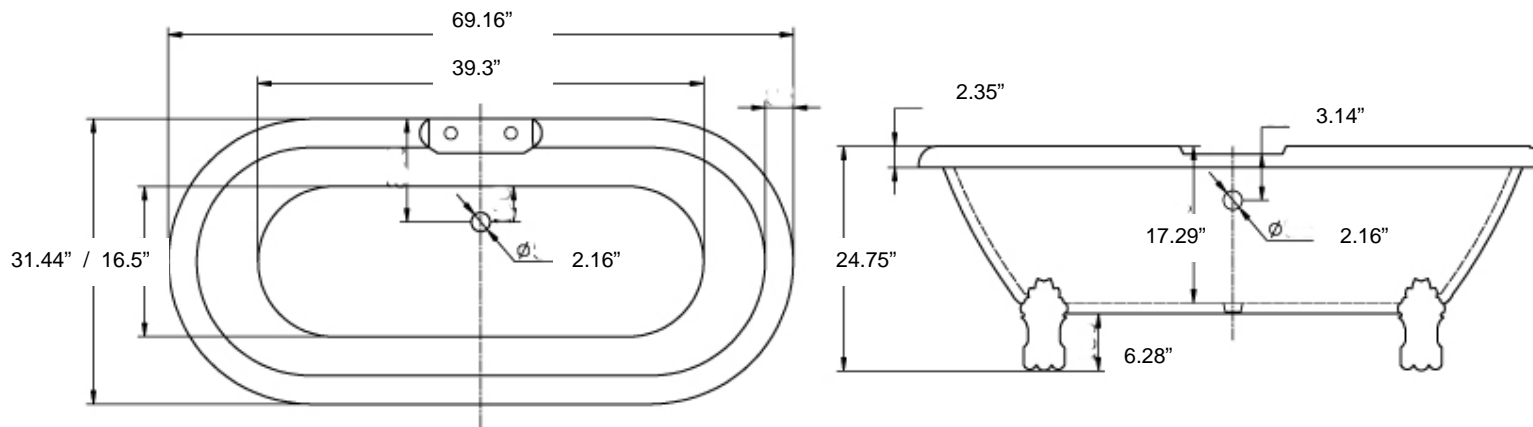
All measurements are approximate and may change without notice. We will not be responsible for faulty or improper installation. We strongly recommend having product onsite before installing any hard plumbing or drilling any holes.



**Overall Specifications:** 59"L x 30"W x 23"H // **Approximate Weight:** 125 lbs // **Material:** High polished interior / exterior acrylic with reinforced fibreglass  
 Drain is NOT included // **Faucet application:** freestanding, tiled wall, deck mount (HOLES ARE NOT PRE-DRILLED)

## Edwardian

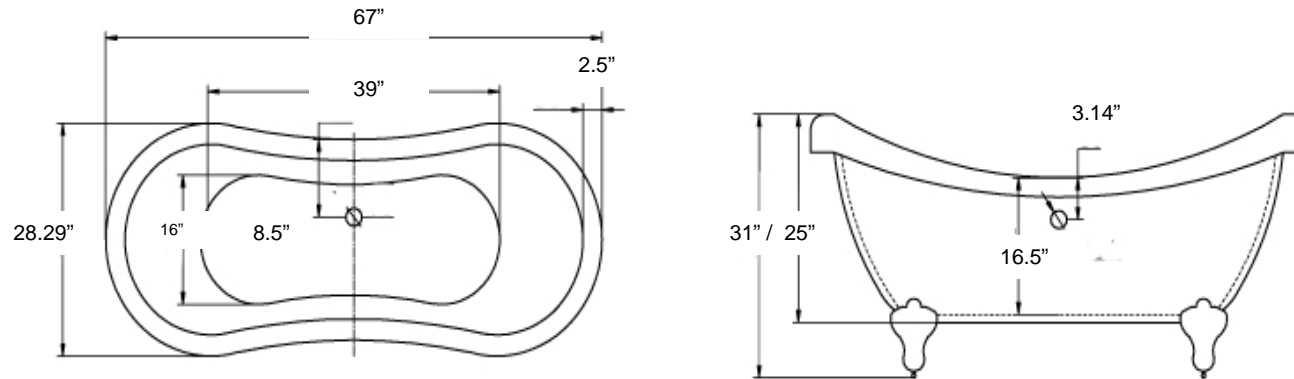
All measurements are approximate and may change without notice. We will not be responsible for faulty or improper installation. We strongly recommend having product onsite before installing any hard plumbing or drilling any holes.



**Overall Specifications:** 69.16"L x 31.44"W x 24.75"H // **Approximate Weight:** 125 lbs // **Material:** High polished interior / exterior acrylic with reinforced fibreglass  
 Drain is NOT included // **Faucet application:** freestanding, tiled wall, deck mount (Holes are NOT PRE-DRILLED)

# Majesty

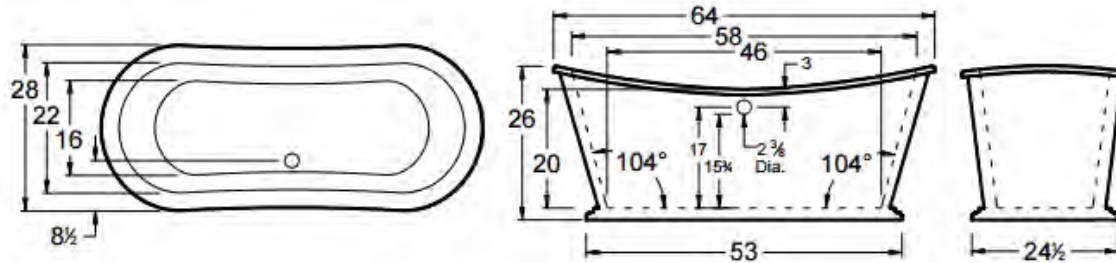
All measurements are approximate and may change without notice. We will not be responsible for faulty or improper installation. We strongly recommend having product onsite before installing any hard plumbing or drilling any holes.



**Overall Specifications:** 67"L x 28.29"W x 31"H // **Approximate Weight:** 125 lbs // **Material:** High polished interior / exterior acrylic with reinforced fibreglass

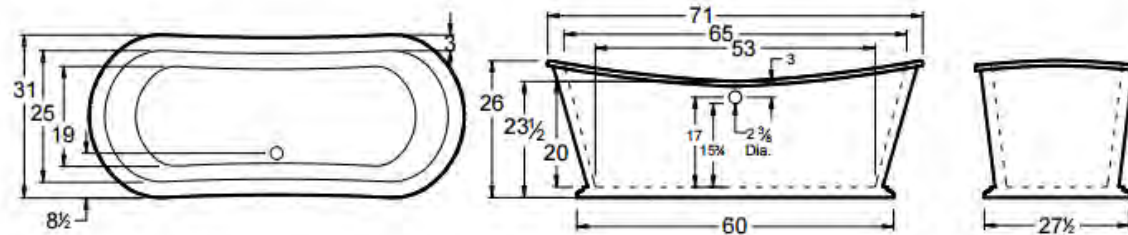
All measurements are approximate and may change without notice. We will not be responsible for faulty or improper installation. We strongly recommend having product onsite before installing any hard plumbing or drilling any holes.

# Sawyer 64



All bathtub dimensions are ± 1/2".

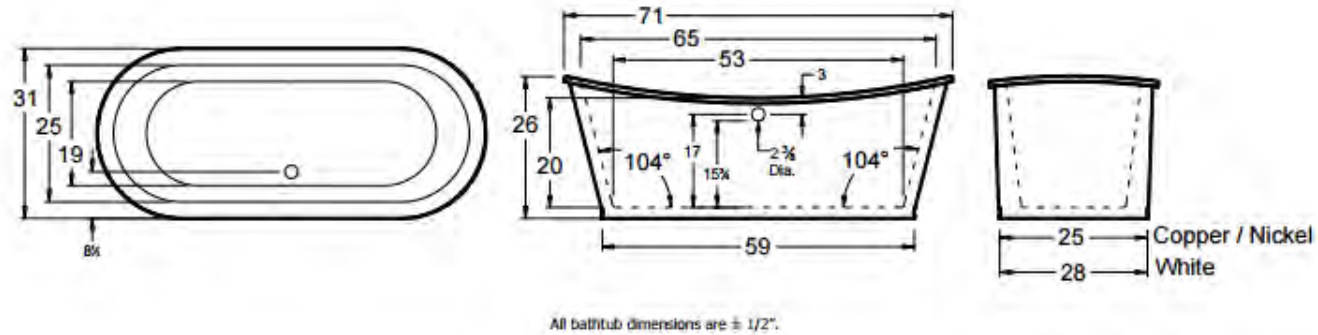
# Sawyer 71



All bathtub dimensions are ± 1/2".

## Sawyer Copper

All measurements are approximate and may change without notice. We will not be responsible for faulty or improper installation. We strongly recommend having product onsite before installing any hard plumbing or drilling any holes.

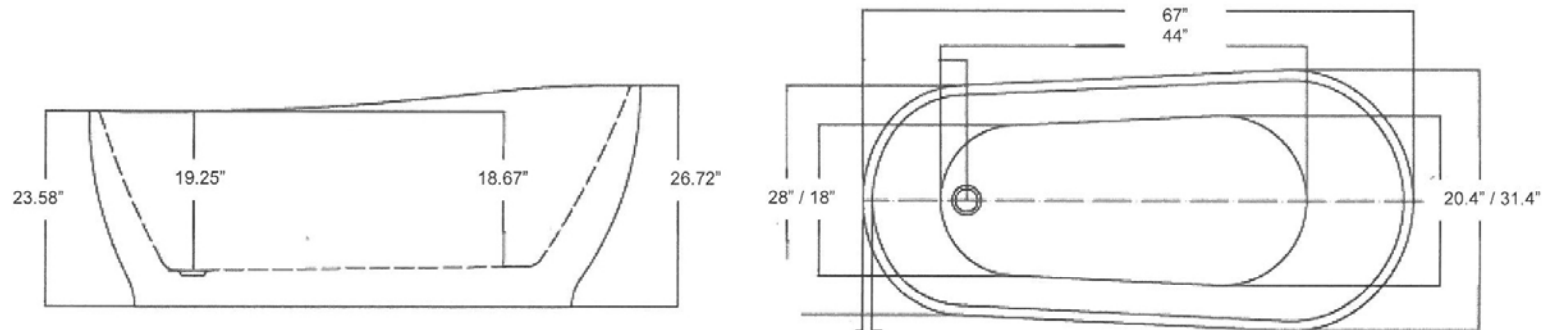


**Overall Specifications:** 71"L x 31"W x 26"H // **Approximate Weight:** 125 lbs // **Material:** High polished interior / exterior acrylic with reinforced fiberglass

Drain is NOT included // Faucet application for FREESTANDING or TILED WALL.

All measurements are approximate and may change without notice. We will not be responsible for faulty or improper installation. We strongly recommend having product onsite before installing any hard plumbing or drilling any holes.

## Paris

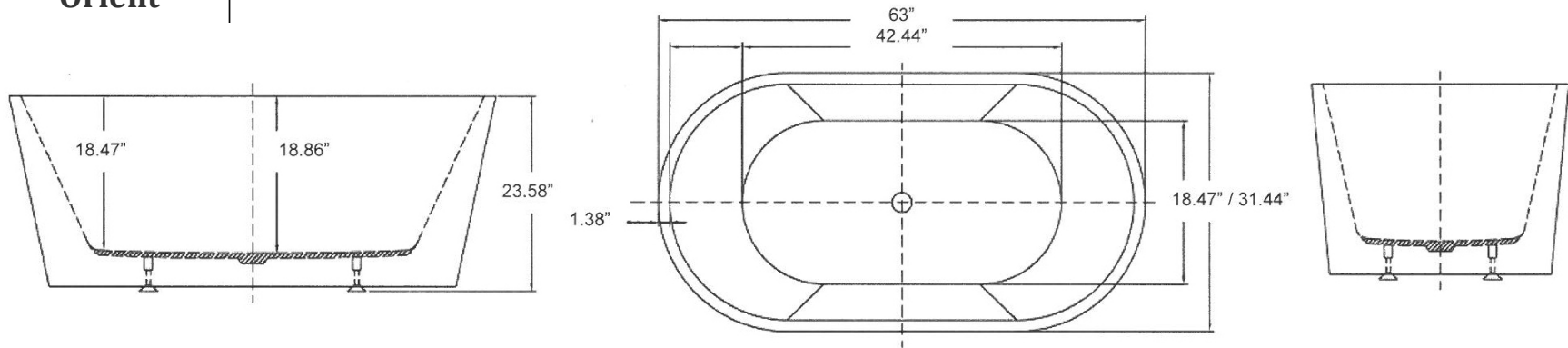


**Overall Specifications:** 67"L x 28/31.4"W x 23.58/26.72"H // **Approximate Weight:** 140 lbs // **Material:** High polished interior / exterior acrylic with reinforced fiberglass

Integrated drain included // Faucet application for FREESTANDING or TILED WALL.

All measurements are approximate and may change without notice. We will not be responsible for faulty or improper installation. We strongly recommend having product onsite before installing any hard plumbing or drilling any holes.

## Orient

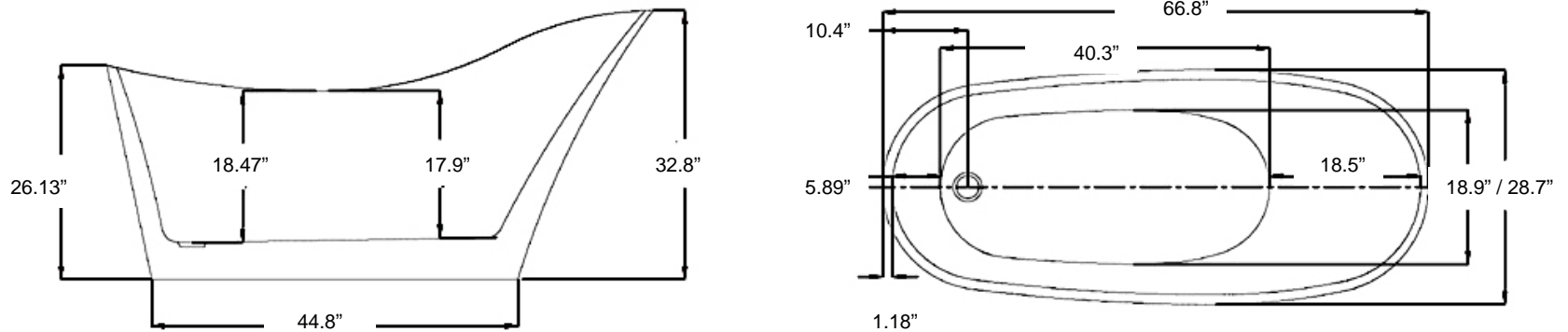


**Overall Specifications:** 63"L x 31.44"W x 23.58"H // **Approximate Weight:** 140 lbs // **Material:** High polished interior / exterior acrylic with reinforced fiberglass

Integrated drain included // Faucet application for FREESTANDING or TILED WALL.

All measurements are approximate and may change without notice. We will not be responsible for faulty or improper installation. We strongly recommend having product onsite before installing any hard plumbing or drilling any holes.

## Napa

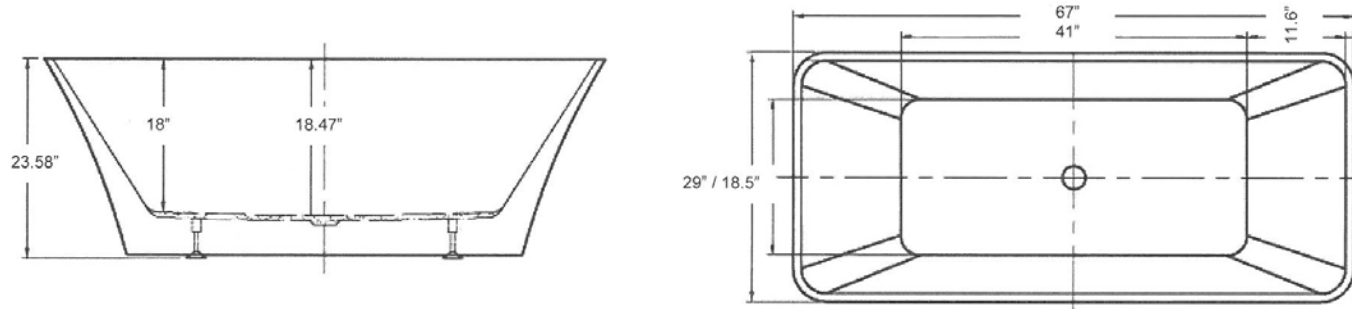


**Overall Specifications:** 66.8"L x 28.7"W x 32.8" / 26.13"H // **Approximate Weight:** 140 lbs // **Material:** High polished interior / exterior acrylic with reinforced fiberglass

Integrated drain included // Faucet application for FREESTANDING or TILED WALL.

## Malibu

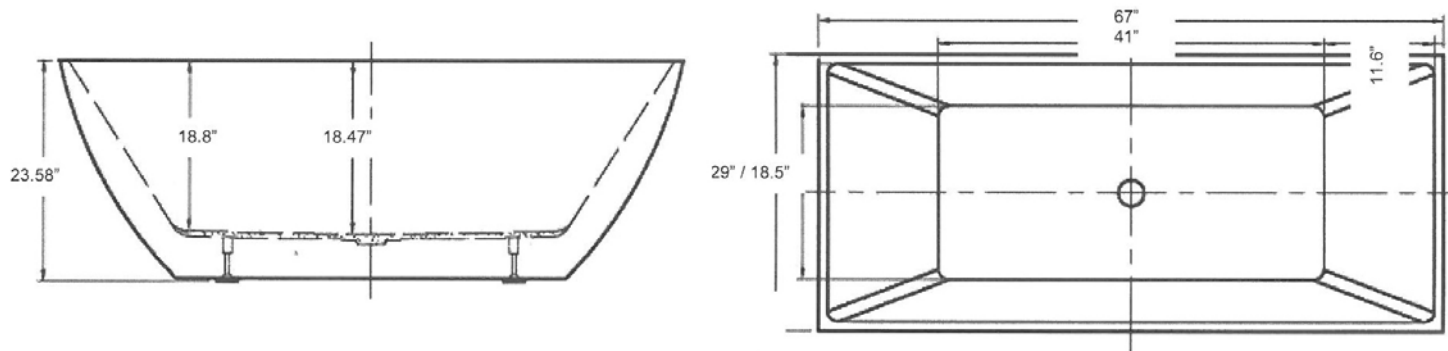
All measurements are approximate and may change without notice. We will not be responsible for faulty or improper installation. We strongly recommend having product onsite before installing any hard plumbing or drilling any holes.



**Overall Specifications:** 67"L x 29"W x 23.58"H // **Approximate Weight:** 140 lbs // **Material:** High polished interior / exterior acrylic with reinforced fibreglass  
Integrated drain included // Faucet application for FREESTANDING or TILED WALL.

All measurements are approximate and may change without notice. We will not be responsible for faulty or improper installation. We strongly recommend having product onsite before installing any hard plumbing or drilling any holes.

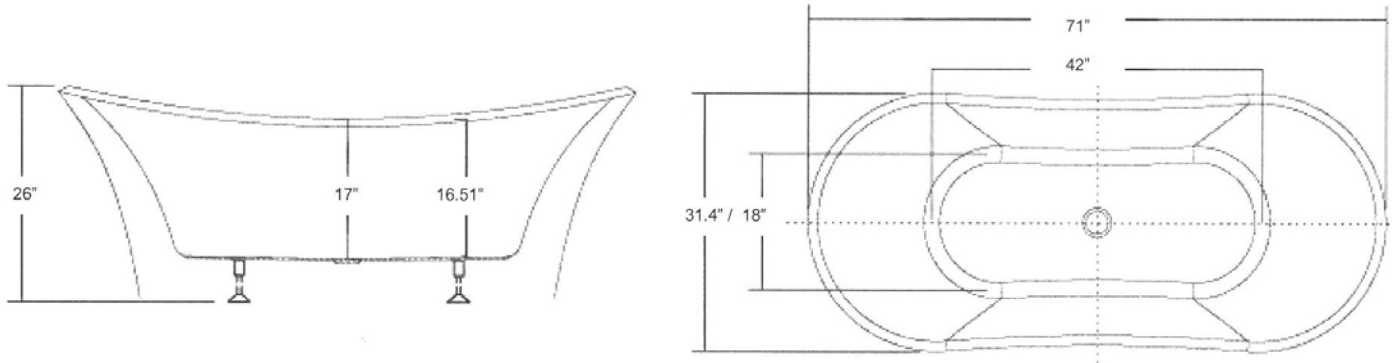
## Maui



**Overall Specifications:** 67"L x 29"W x 23.58"H // **Approximate Weight:** 140 lbs // **Material:** High polished interior / exterior acrylic with reinforced fibreglass  
Integrated drain included // Faucet application for FREESTANDING or TILED WALL.

## Californian

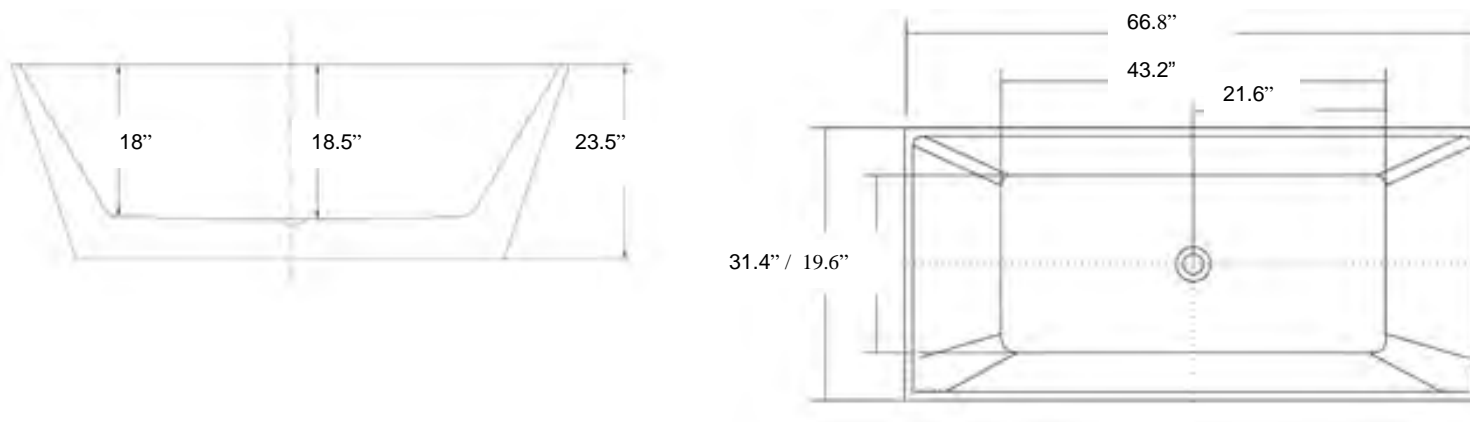
All measurements are approximate and may change without notice. We will not be responsible for faulty or improper installation. We strongly recommend having product onsite before installing any hard plumbing or drilling any holes.



**Overall Specifications:** 71"L x 31.4"W x 26"H // **Approximate Weight:** 140 lbs // **Material:** High polished interior / exterior acrylic with reinforced fibreglass  
Integrated drain included // Faucet application for FREESTANDING or TILED WALL.

All measurements are approximate and may change without notice. We will not be responsible for faulty or improper installation. We strongly recommend having product onsite before installing any hard plumbing or drilling any holes.

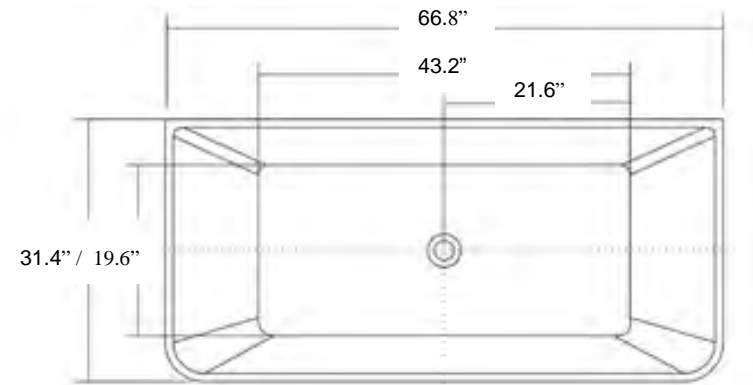
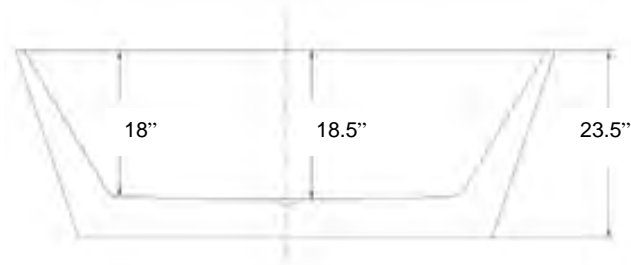
## Manhattan



**Overall Specifications:** 67"L x 29"W x 23.58"H // **Approximate Weight:** 140 lbs // **Material:** High polished interior / exterior acrylic with reinforced fibreglass  
Integrated drain included // Faucet application for FREESTANDING or TILED WALL.

**Bali**

All measurements are approximate and may change without notice. We will not be responsible for faulty or improper installation. We strongly recommend having product onsite before installing any hard plumbing or drilling any holes.



**Overall Specifications:** 66.8"L x 31.4"W x 23.5"H // **Approximate Weight:** 140 lbs // **Material:** High polished interior / exterior acrylic with reinforced fibreglass

Integrated drain included // Faucet application for FREESTANDING or TILED WALL.