



Lift & Turn / Plug & Chain

- * 1-1/2" exposed drain & overflow
- * Overflow tube is 18"
- * Waste shoe tube is 12"
- * Bottom tail piece is 6"
- * High polished finish
- * CSA approved

This model comes with a Plug & Chain and Lift & Turn option

Model

5599CSA
5593CSA
5594CSA
5598CSA

Finish

Chrome
Brushed Nickel
Polished Nickel
Antique Bronze

Replacement Parts, see Pg.67



Toe Touch Pop Up

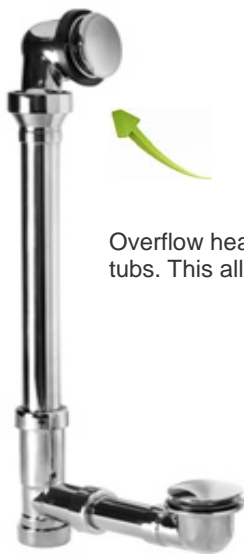
- * 1-1/2" exposed drain & overflow
- * Overflow tube is 18"
- * Waste shoe tube is 18"
- * Bottom tail piece is 5"
- * High polished finish

Model

SH1900POPCP
SH1900POPBN
SH1900POPBR
SH1900POPAB

Finish

Chrome
Brushed Nickel
Rubbed Bronze
Antique Bronze



Swivel HD Drain

- * Overflow tube 12"-22"
- * Waste shoe is 6-8"
- * Soft toe touch drain
- * High polished plating

Overflow head is on a swivel ball. Specifically designed for sloped / angled tubs. This allows for the drain to take the slope out and be fitted accordingly.

This drain is special order and is a final sale.

Model

BDSCFT22CP
BDSCFT22BN
BDSCFT22PN
BDSCFT22RB

Finish

Chrome
Brushed Nickel
Polished Nickel
Rubbed Bronze



Swivel II – Lift & Turn

- * 1-1/2" exposed drain & overflow
- * Overflow tube is 18"
- * Waste shoe tube is 12"
- * Bottom tail piece is 6"

Model

D1CP

Finish

Chrome



Lift Top Tower

- * 1-1/2" exposed drain & overflow
- * Overflow tube is 19" -21"
- * Waste shoe tube is 15.5"
- * Bottom tail piece is 5"

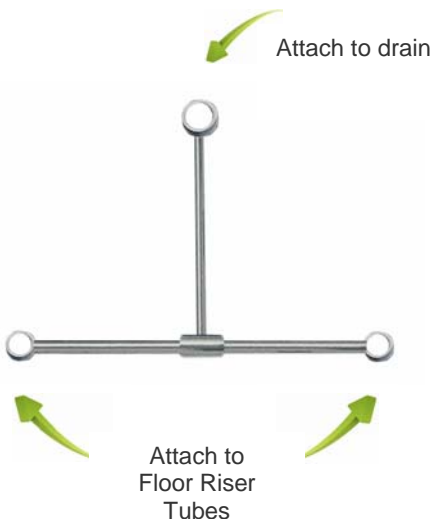
Model

SM200CP
SM200BN
SM200RB
SM200AB

Finish

Chrome
Brushed Nickel
Rubbed Bronze
Antique Bronze

This drain is special order and is a final sale.



Drain – to – Riser Bracket

- * Drain ring fits 1-1/2" & 1-3/4"
- * Riser rings fit 3/4" & 1" OD tubes
- * Supports are 5"long

Model

CDBKTCP
CDBKTBN
CDBKTRB
CDBKTAB

Finish

Chrome
Brushed Nickel
Rubbed Bronze
Antique Bronze

This bracket is designed to add extra support to freestanding faucet applications.

The 3 supports are cut-to-fit adjustable.

For 5599 Series ' T ' Style Drain & Overflow

Part #1 – Top Overflow Tube

Model # / Finish
 T55CP – Chrome
 T55BN – Brushed Nickel
 T55AB – Antique Bronze

Part #2 – Bottom Shoe

Model # / Finish
 B55CP – Chrome
 B55BN – Brushed Nickel
 B55AB – Antique Bronze

Part #3 – Top Waste Flange

Model # / Finish
 WF55CP – Chrome
 WF55BN – Brushed Nickel
 WF55AB – Antique Bronze

Part #4 – Face Plate

Model # / Finish
 FP55CP – Chrome
 FP55BN – Brushed Nickel
 FP55AB – Antique Bronze

Part #5 – Exposed Tee

Model # / Finish
 TE55CP – Chrome
 TE55BN – Brushed Nickel
 TE55AB – Antique Bronze

Part #6 – Sponge Gasket

Model # / Finish
 R55PL

Part #7 – Rubber Waste Gasket

Model # / Finish
 R55WS

Part #8 – Lift Stop

Model # / Finish
 L55CP – Chrome
 L55BN – Brushed Nickel
 L55AB – Antique Bronze

Part #9 – 1.5" Nut

Model # / Finish
 N55CP – Chrome
 N55BN – Brushed Nickel
 N55AB – Antique Bronze

Part #10 – Face Plate Screw

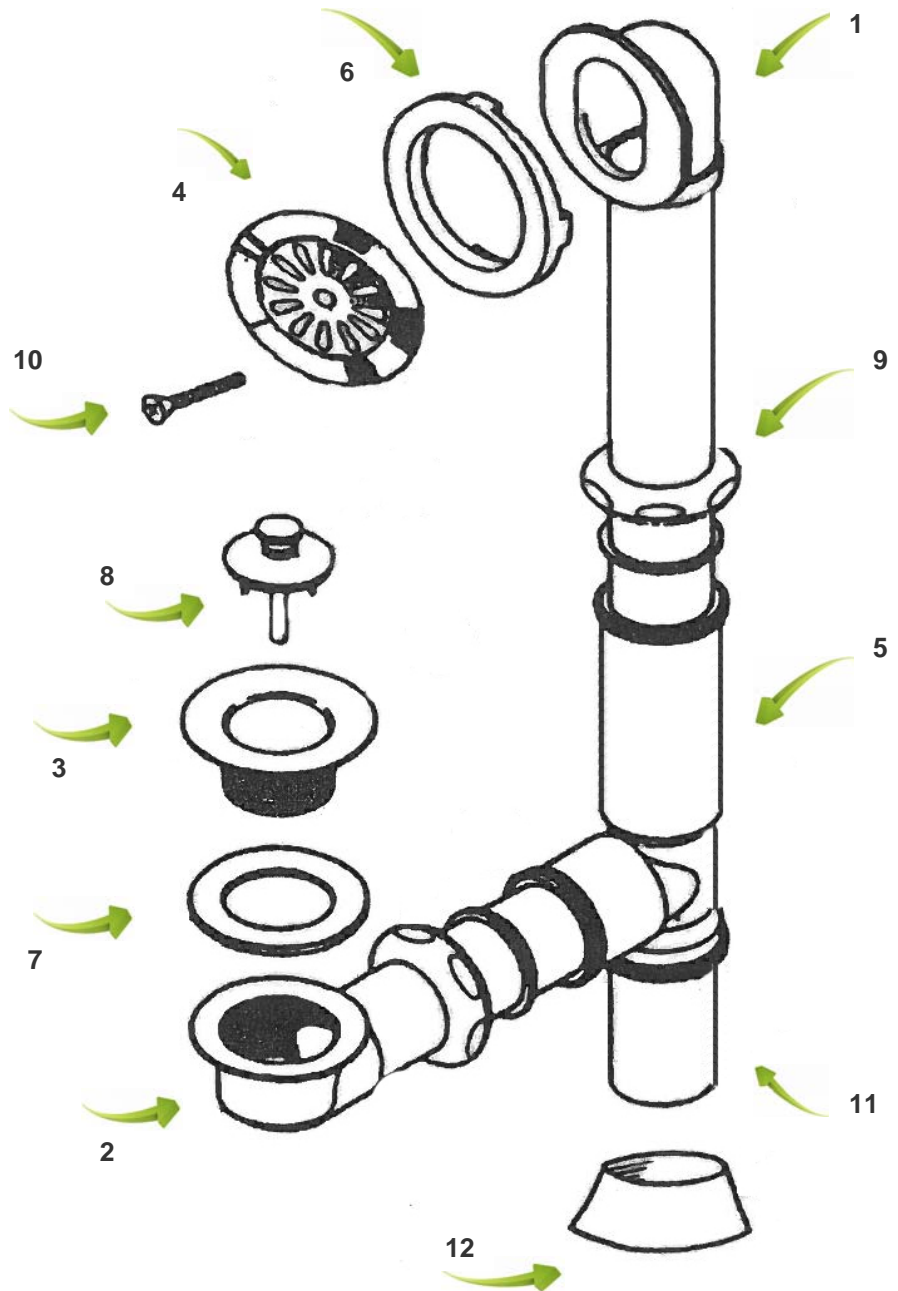
Model # / Finish
 S55CP – Chrome
 S55BN – Brushed Nickel
 S55AB – Antique Bronze

Part #11 – Bottom Tube (1.5" x 6")

Model # / Finish
 TP55CP – Chrome
 TP55BN – Brushed Nickel
 TP55AB – Antique Bronze

Part #12 – Floor Escutcheon

Model # / Finish
 491CP – Chrome
 491BN – Brushed Nickel
 491AB – Antique Bronze





31.5"

9650 Floor Risers

Mounting Application:
Freestanding over-the-rim

- * Solid brass 1" OD
- * Overall height: 31.5" (4" sits below floor)
- * Finished exposed height above floor: 27.5"
- * 3/4"M running thread to faucet
- * 1/2"F solder inside at bottom

Can be used for the following series faucets:

Bath Faucets: 701, 722, 800, 850, 2200X, N800
Bath & Shower Kits: P54S, 2195, 2190, 1800, 2800



Model #	Finish
9650	Chrome
9653	Brushed Nickel
9654	Polished Nickel
9658	Antique Bronze



Specs:

See page S10 in
SPECS section



31.5"

9670 Floor Risers w/ Shutoffs

Mounting Application:
Freestanding over-the-rim

- * Includes pre installation kit (see page 70-71)
- * Solid brass 1" OD
- * Overall height: 31.5" (4" sits below floor)
- * Finished exposed height above floor: 27.5"
- * 3/4"M running thread to faucet
- * 1/2"F solder inside at bottom

Can be used for the following series faucets:

Bath Faucets: 701, 722, 800, 850, 2200X, N800
Bath & Shower Kits: P54S, 2195, 2190, 1800, 2800



Model #	Finish
9670	Chrome
9673	Brushed Nickel
9674	Polished Nickel
9678	Antique Bronze



Specs:

See page S10 in
SPECS section



37.5"

9670M Floor Risers w/ Shutoffs

Mounting Application:
Freestanding over-the-rim

- * Includes pre installation kit (see page 70-71)
- * Solid brass 1" OD
- * Overall height: 37.5" (4" sits below floor)
- * Finished exposed height above floor: 33.5"
- * 3/4"M running thread to faucet
- * 1/2"F solder inside at bottom

Can be used for the following series faucets:

Bath Faucets: 701, 722, 800, 850, 2200X, N800
Bath & Shower Kits: P54S, 2195, 2190, 1800, 2800



Model #	Finish
9670M	Chrome
9673M	Brushed Nickel
9674M	Polished Nickel
9678M	Antique Bronze



Specs:

See page S10 in
SPECS section



37.5"

9670MEX Risers w/ Shutoffs (7" faucet extension to clear wide rim tubs)

Mounting Application:
Freestanding over-the-rim

- * Includes pre installation kit (see page 70-71)
- * Solid brass 1" OD
- * Overall height: 37.5" (4" sits below floor)
- * Finished exposed height above floor: 33.5"
- * 3/4"M running thread to faucet
- * 1/2"F solder inside at bottom

Can be used for the following series faucets:

Bath Faucets: 701, 722, 800, 850, 2200X, N800
Bath & Shower Kits: P54S, 2195, 2190, 1800, 2800



Model #	Finish
9670MEX	Chrome
9673MEX	Brushed Nickel



Specs:

See page S11 in
SPECS section



398 Floor Risers w/ Shutoffs

Mounting Application:
Freestanding over-the-rim

- * Adjustable height: 24.5" – 32"
- * Running thread to faucet
- * Solder inside at bottom
- * Includes wall supports / cut-to-fit adjustable

Can be used for the following series faucets:

Bath Faucets: British, Goose I, Goose II, Spigot
Bath & Shower Kits: CDSH, Spigot, Goose

Model #	Finish
CDSH398CP	Chrome
CDSH398BN	Brushed Nickel
CDSH398RB	Rubbed Bronze
CDSH398AB	Antique Bronze



Metal Cross Handles
Add suffix / **MC** at end of model #



Metal Lever Handles
Add suffix / **ML** at end of model #



White Lever Handles
Add suffix / **L** at end of model #

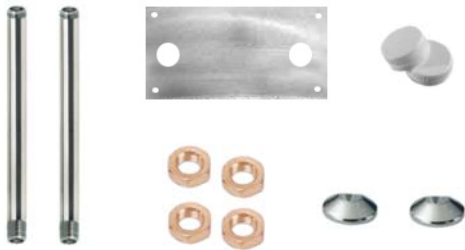
IMPORTANT - Please read before ordering: (for freestanding over-the-rim)

The Pre Installation kit is made up of 2 sections; TOP and BOTTOM. The *bottom* section is all the components that are below the shutoff valve only. The *top* consists of only the top portion of a floor riser tube with the shutoffs. The 2 combined parts will make a complete floor riser tube (complete tubes are also found on page 68-69)

How to order:

- * First, select the BOTTOM portion pre installation tubes.
- * Second, order the corresponding TOP portion tube to the desired height to fit your bathtub.
- * Please note that ALL tubes have 4" threading that will sit below the floor; therefore, where noted "top & bottom" this height is the overall height; the finished exposed height is less 4"

BOTTOM section pre installation tubes:



Kit Includes:

2 x 10" tubes
1 x 4" x 9" floor plate
2 x test caps
2 x escutcheons
4 x brass flanges

Model

9670CP/K
9670BN/K
9670AB/K

Finish

Chrome
Brushed Nickel
Antique Bronze

TOP section riser tubes:



20.5" top only / top & bottom = 31.5"

Model

9670CP/R
9670BN/R
9670AB/R

Finish

Chrome
Brushed Nickel
Antique Bronze



27.5" top only / top & bottom = 37.5"

Model

9670CP/M
9670BN/M
9670AB/M

Finish

Chrome
Brushed Nickel
Antique Bronze



31.5" top only / top & bottom = 41.5"

Model

9670CP/X
9670BN/X

Finish

Chrome
Brushed Nickel

All tubes below have 7" faucet extensions



20.5" top only / top & bottom = 31.5"

Model

9670CP/R/EX
9670BN/R/EX

Finish

Chrome
Brushed Nickel



27.5" top only / top & bottom = 37.5"

Model

9670CP/M/EX
9670BN/M/EX

Finish

Chrome
Brushed Nickel



31.5" top only / top & bottom = 41.5"

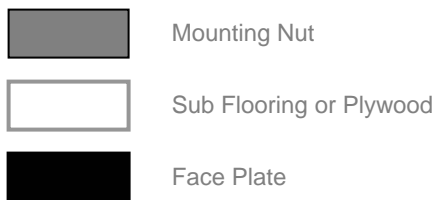
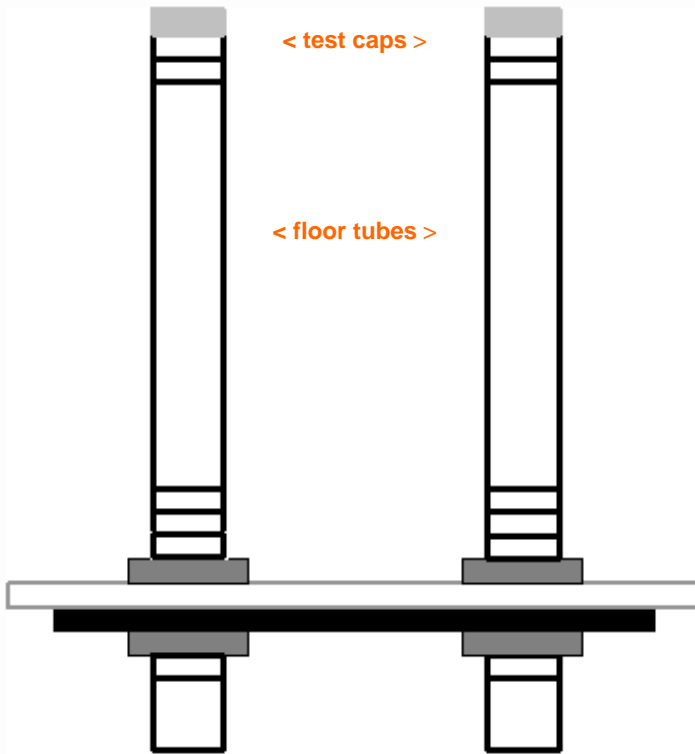
Model

9670CP/X/EX
9670BN/X/EX

Finish

Chrome
Brushed Nickel

Installation:



- (a) Face Plate is a template for drilling holes to exact measurements. You may choose to mount face plate to sub-flooring or wherever most convenient for added stability.
- (b) Once Face Plate is mounted or holes have been drilled, take one mounting nut and one tube – slide tube through flooring or plate, take mounting nut under bottom of face plate or floor and thread onto tube. Take second mounting nut and thread on to tube above flooring. Mounting nuts should “sandwich” the tube to flooring.
- (c) Repeat step (b) to other side.
- (d) Sweat on copper water line to bottom of tube.
- (e) Cover mounting nut above floor with Escutcheons.
- (f) Thread on Test Caps onto top of tube and conduct a test run for leaks etc. Once complete, take floor riser tube and place $\frac{3}{4}$ ” washer between pre install tube and floor riser. Thread floor riser onto tube.
- (g) Test again for any leaks etc. Troubleshoot if necessary

Note: All floor riser tubes are tested before being shipped. There should be no leaks, so long as installation is done properly. Any tampering with tubing will result in void warranty.

IMPORTANT:

Test caps are to be used only for testing to see if there are any leaks in the installation. **By no means are the test caps to be left on the tubes unattended as the pressure from the water lines may crack or blow off the caps.** This is solely the responsibility of the installer to follow these instructions. SSSG, nor any of our suppliers, retailers, wholesalers or distributors will NOT be held liable for any damages caused by mistreatment or neglect.



Offset Water Supplies

Mounting Application: For inside tub mount

- * 1/2" OD tubing
- * 24" length
- * Optional 1/2"F & 3/4"F faucet connections
- * 8" centres at floor when on a 3-3/8" faucet mount

Model

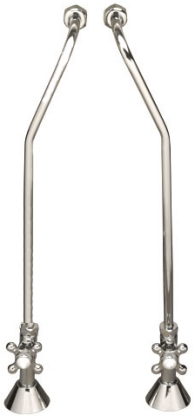
CD5576
CD5573

Finish

Chrome
Brushed Nickel



**Replacement Parts
See page 74**



Offset Water Supplies w/ Shutoffs

Mounting Application: For inside tub mount

- * 1/2" OD tubing
- * 30" length
- * 1/2"F faucet connection
- * 3/4"F floor connection
- * 8" centres at floor when on a 3-3/8" faucet mount
- * Shutoffs: 1/2" IPS Female x 1/2" OD Comp.

Model

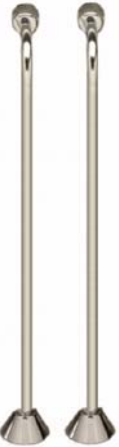
CD5576X
CD5573X
CD5578X
CD5575X

Finish

Chrome
Brushed Nickel
Rubbed Bronze
Antique Bronze



**Replacement Parts
See page 74**



90° Water Supplies

Mounting Application: For inside tub mount

- * 1/2" OD tubing
- * 24" length
- * 1/2"F faucet connection
- * 90 is 3" off back of tub
- * Floor: on centre with holes in tub

Model

CD5576ST
CD5573ST

Finish

Chrome
Brushed Nickel



**Replacement Parts
See page 74**



90° Water Supplies w/ Shutoffs

Mounting Application: For inside tub mount

- * 1/2" OD tubing
- * 30" length
- * 1/2"F faucet connection
- * 3/4"F floor connection
- * 90 is 3" off back of tub
- * Floor: on centre with holes in tub
- * Shutoffs: 1/2" IPS Female x 1/2" OD Comp.

Model

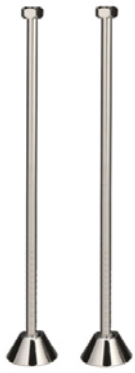
CD5576STX
CD5573STX
CD5578STX
CD5575STX

Finish

Chrome
Brushed Nickel
Rubbed Bronze
Antique Bronze



**Replacement Parts
See page 74**



Deck Mount Water Supplies

Mounting Application: Deck of tub

- * 1/2" OD tubing
- * Tubes are 24" length
- * 1/2"F faucet connection

Model

CD5476
CD5473

Finish

Chrome
Brushed Nickel



**Replacement Parts
See page 74**



Deck Water Supplies w/ Shutoffs

Mounting Application: Deck of tub

- * 1/2" OD tubing
- * Tubes are 30" length
- * 1/2"F faucet connection
- * 3/4"F floor connection
- * Shutoffs: 1/2" IPS Female x 1/2" OD Comp.

Model

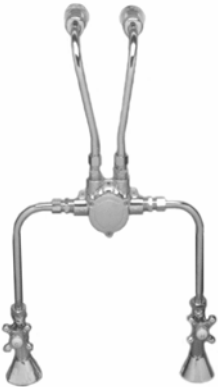
CD5476X
CD5473X
CD5475X
CD5478X

Finish

Chrome
Brushed Nickel
Antique Bronze
Rubbed Bronze



**Replacement Parts
See page 74**



Pressure Bal. Water Supplies

Mounting Application: For inside tub mount

- * 1/2" supply
- * 3-3/8" on centre for faucet – 3/4"F connection
- * 11" on centre at bottom – 1/2"M IPS connection
- * Shutoffs: 1/2" IPS Female x 1/2" OD Compression

Model

CD500CP
CD500BN

Finish

Chrome
Brushed Nickel



**Replacement Parts
See page 74**



Deck Pressure Bal. Supplies

Mounting Application: Deck of tub

- * 1/2" supply
- * Bendable supplies to deck - 3/4"F connection
- * 11" on centre at bottom – 1/2" IPS connection
- * Shutoffs: 1/2" IPS Female x 1/2" OD Compression

Model

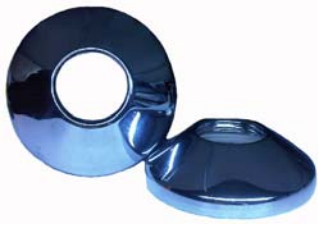
CD501CP
CD501BN

Finish

Chrome
Brushed Nickel



**Replacement Parts
See page 74**



Floor Escutcheons

* For 1" OD tubing

Model #	Finish
800/96FL	Chrome
803/96FL	Brushed Nickel



Supply Tube Floor Flanges

* For water supply tubes with shutoffs

Model #	Finish
SBBF50CP	Chrome
SBBF50BN	Brushed Nickel
SBBR50AB	Antique Bronze
SBBF50RB	Rubbed Bronze



Supply Tube Floor Flanges

* For water supply tubes w/out valves

Model #	Finish
SBBF58CP	Chrome
SBBF58BN	Brushed Nickel
SBBF58AB	Antique Bronze
SBBF58RB	Rubbed Bronze



Supply Tube Shutoffs

* 1/2"IPS F x 1/2"F Compression

Model #	Finish
SBSH218CP	Chrome
SBSH218BN	Brushed Nickel



3" Supply Tube Nipples

* 1/2"M x 1/2"M

Model #	Finish
N3CP	Chrome
N3BN	Brushed Nickel



Supply Tube Hardware

Size	Model #	Finish
3/4"	34TRIMCP	Chrome
	34TRIM BN	Brushed Nickel
1/2"	12TRIMCP	Chrome
	12TRIM BN	Brushed Nickel



3/4" Brass Floor Nuts

Model #
96FN - (sold per each)

For all finishes, floor riser model series:
9650, 9670, 9670M, 9670MEX



3/4" Fibre Model #
800WAF - (25pcs)

1/2" Fibre Model #
1684 - (25pcs)

1/2" Rubber Model #
1685 - (25pcs)



#19 Bushing

* 3/4"M x 1/2"F
* Threaded inside/outside

Model #
#19